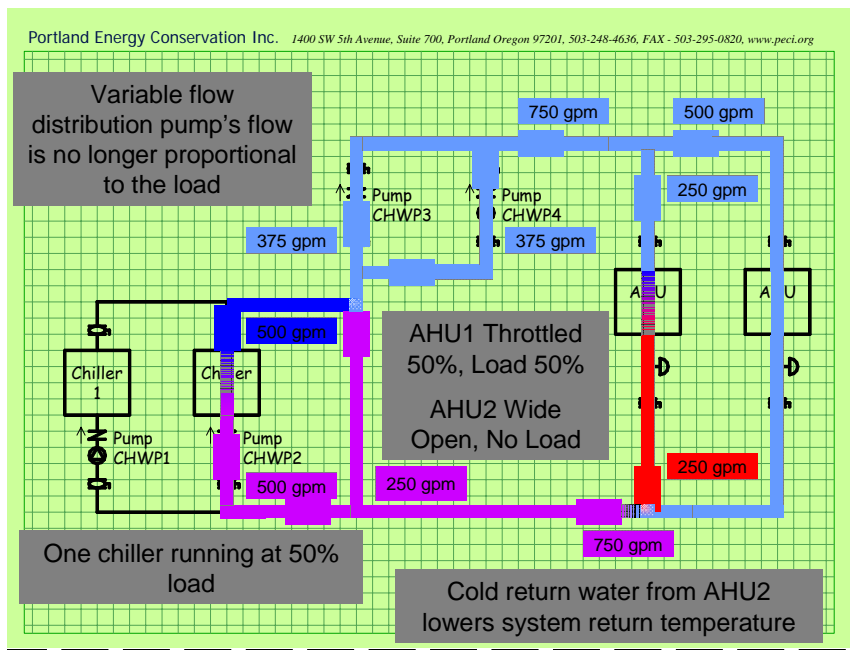


**Assumptions:**

- 2 - 250 ton chillers at 2 gpm per ton
- 2 - 500 gpm loads
- Primary pumps rated for 500 gpm each
- Evaporator pumps rated for 500 gpm each
- System tuned and operating per design intent



**Assumptions:**

- 2 - 250 ton chillers at 2 gpm per ton
- 2 - 500 gpm loads
- Primary pumps rated for 500 gpm each
- Evaporator pumps rated for 500 gpm each
- One load at 50% of design
- One load' off with its valve driven wide open

**Figure 15 – Variable-flow chilled-water-plant operation.**